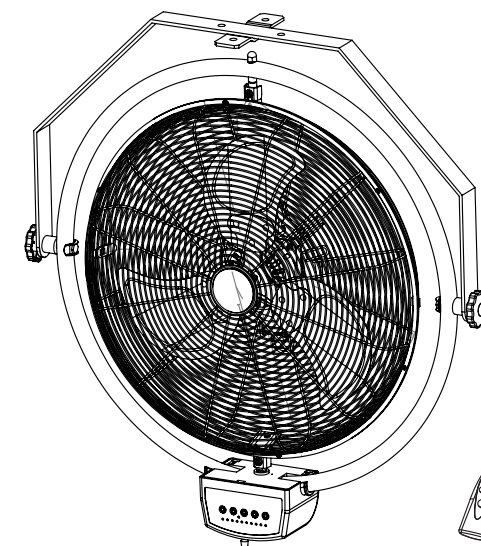


HICFM**OWNER'S MANUAL****20" REMOTE CONTROL WALL MOUNTED FAN**

ITEM NO.: FAN-W20RS

MODEL NO.: SFW1-500BOI-RC

READ & SAVE THESE INSTRUCTIONS

Questions, problems, missing parts? Before returning the product,

please e-mail our customer service by

aliceyoung@alohahome1.com**SAFETY INFORMATION****WARNING**

1. Read and save these instructions. Do not operate fan unless you have read these instructions.
2. Unplug the fan before moving it or performing maintenance. Do not touch the fan when your hands are wet.
3. Those who are not qualified electricians should not disassemble, repair or rebuild the fan.
4. Unplug the fan when it is not in use.
5. DO NOT unplug the fan by pulling the cable cord. Unplug by holding the plug and pulling.
6. DO NOT use the fan when there is damage to the cable cord or plug. If the supply cord is damaged, it has to be replaced by the manufacturer, its service agent or similarly qualified persons.
7. To Reduce The Risk Of Fire, Electric Shock Or Injury To Persons, Do Not Use Replacement Parts That Have Not Been Recommended By The Manufacturer (e.g. Parts Made At Home Using A 3D Printer).
8. DO NOT use the fan close to fires.
9. DO NOT insert your hand or other objects into the grille or the movable parts.
10. To reduce the risk of fire or electric shock, do not use this fan with any solid-state speed control device.
11. DO NOT use this fan outdoors, this fan is designed for indoor use only.
12. To Reduce The Risk Of Fire Or Electric Shock Do Not Use With An Extension Cord.

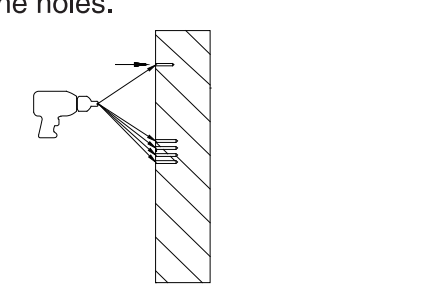
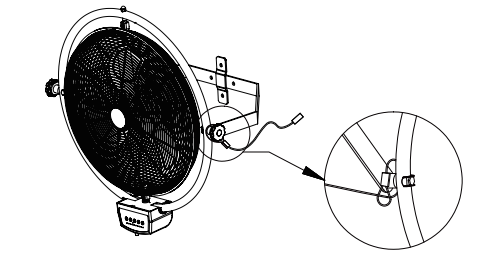
CAUTION

1. Unplug the fan from the socket and clean it with a soft cloth.
2. DO NOT immerse the fan.
3. Fit the guard onto fan before starting up the fan.
4. This fan is not intended for use by people (including children) with reduced physical, sensory or mental capabilities or lack of experience and knowledge unless they have been given supervision or instruction concerning use of the fan by a person responsible for their safety. Supervise children to ensure they do not play with the fan.

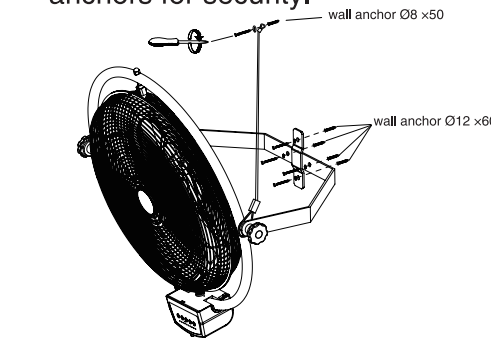
1

ASSEMBLY INSTRUCTION

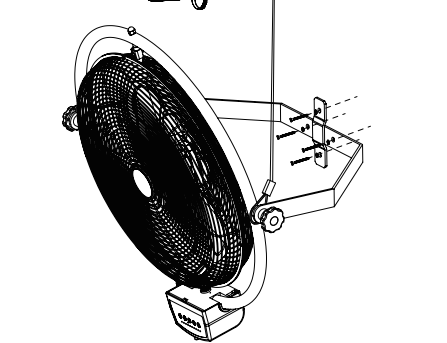
1. Wrap the safety cable with the pivot of hanging bracket as illustrated.
2. Mark the hole locations on the wall by using the bracket and then drill the holes.



3. For concrete wall installation: After drill, insert 5 wall anchors and tap them flush with the wall. Position the bracket and screw 4 bolts (ST9.5x65) and 4 washers (Ø10xØ20) through it into the anchors, securely attaching to the wall then, fasten a bolt (ST6x60) and a washer (Ø6x26) through the terminal of safety cable into the anchors for security.
4. For wall stud installation: After drilling the smaller diameter pilot holes, position the bracket and screw the 4 bolts and 4 washers into the wall until they are secured. Then fasten a bolt and a washer through the terminal of safety cable into the wall for security.



Concrete Wall

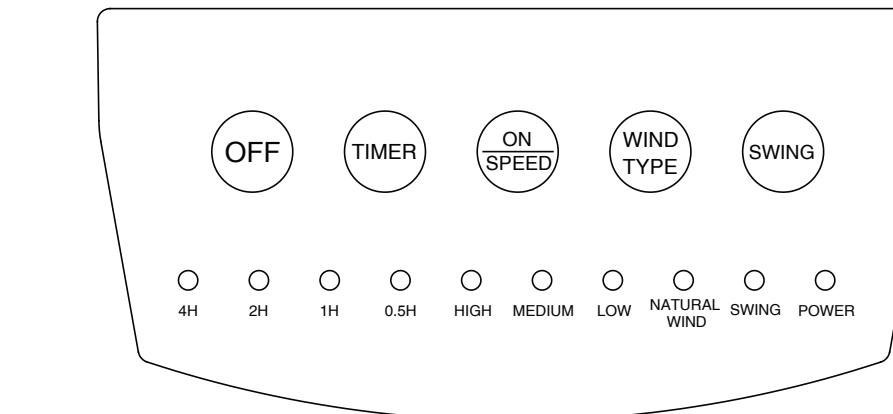


Wall Stud

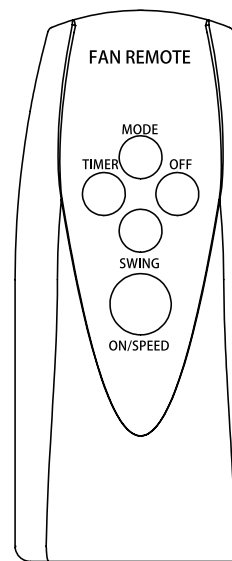
2

OPERATION INSTRUCTION

1. The fan comes with manual control and remote control.
2. During manual control, press the buttons from control panel to adjust the desired speed, oscillation status and timer setting.



3. During remote control, press the buttons on remote control.
 - 3.1 ON/SPEED button: Press the key if the fan needs to be on or to change the 3 fan speed between low, medium and high.
 - 3.2 OFF button: Press the key if the fan needs to be off.
 - 3.3 TIMER button: Press to program timer to stop fan between 0.5 hours or 7.5 hours. LED indicator will light up under the 0.5H, 1H, 2H and 4H timer marking, example, if the timer is set to 3.5 hours, the led will light up for 0.5H, 1H and 2H.
 - 3.4 SWING button: Swing on/stop.
 - 3.5 MODE button: Press the key if the fan needs to be normal mode, natural mode or sleep mode.
- NOTE: Remote control requires 2xAAA(LR03) battery type. (Not Included)



3

CARE AND MAINTENANCE

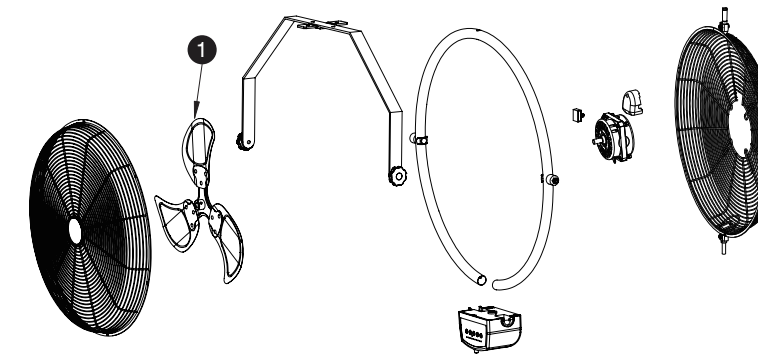
Unplug the appliance before cleaning. Don't use any water for cleaning metal surfaces. Slightly moisten a cloth and then wipe off the surfaces of the fan. In order to remove dust from the grill, use a vacuum cleaner or remove the front grill by removing the securing screws on the edge of the grill. After cleaning, remount the grill. After doing this, fasten the screws on the edge of the grill.

1-YEAR LIMITED WARRANTY

The manufacturer warrants this product to be free from manufacturing defects in the material and workmanship under normal use for a period of one year after the date of purchase by the original purchaser.

This warranty does not cover transit damages. This warranty does not apply to damages from accident, misuse, alteration of any kind to the fan or where the connected voltage is more than above the nameplate voltage. This warranty does not apply to the finish on any portion of the product. Servicing performed by unauthorized persons shall render the warranty invalid. The warranty is not responsible for damages of any kind, including accident and consequential damages. Some states do not allow the exclusion or limitation of the incidental or consequential damages, so the above exclusion or limitation may not apply to you. This warranty gives you specific legal rights, and you may also have other rights which vary from state to state.

4

REPLACEMENT PARTS LIST

PART	DESCRIPTION	PART #
A	Blade	FAN-W20RS-01

5